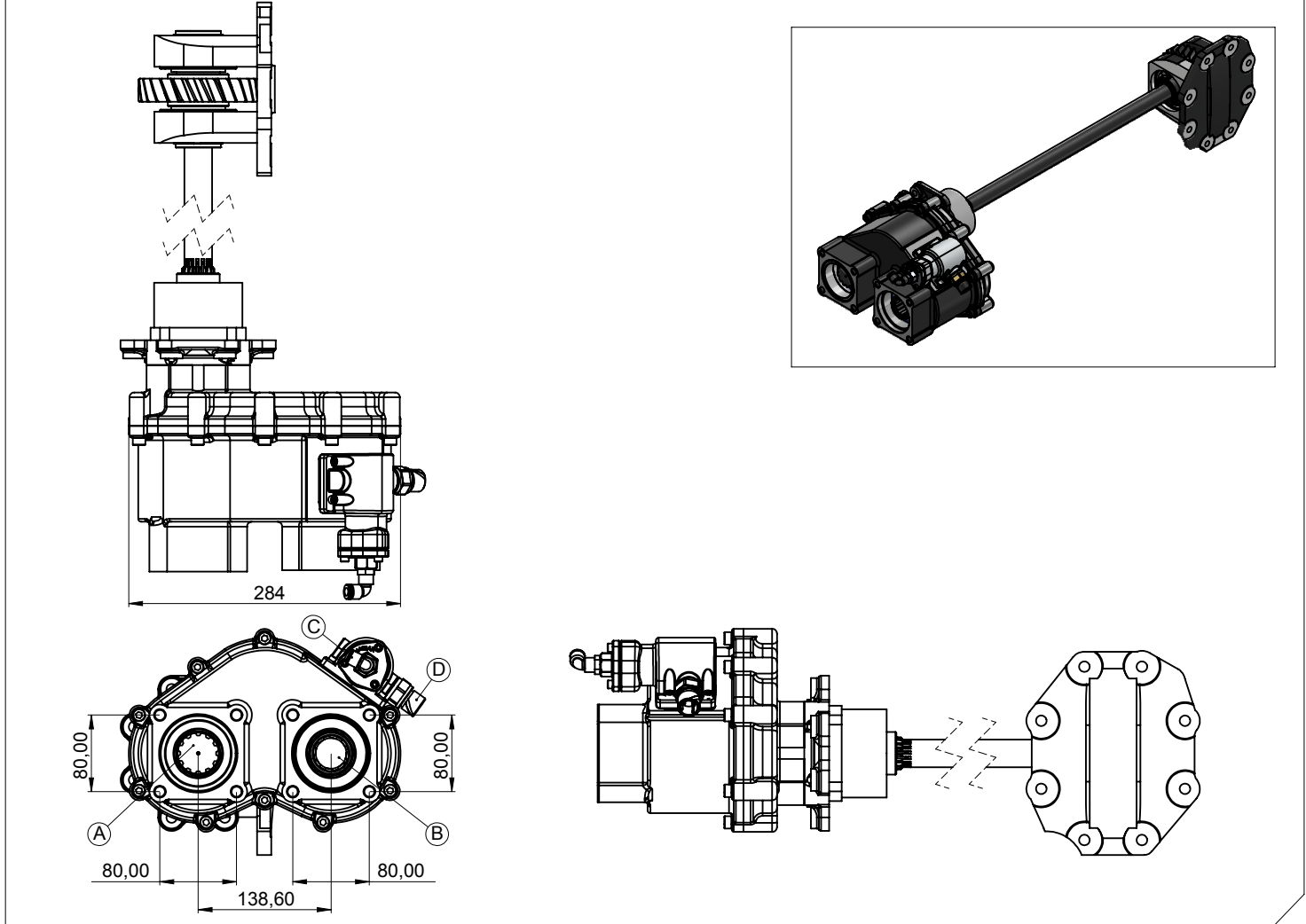


<b>Vehicle Type</b>	R420 SCANIA
<b>Gearbox Type</b>	GR 875 / GR 905 / GRSO 905 / GRS905

<b>Product Code</b>	<b>SCA.16.905</b>
<b>Revision No- Date</b>	01/ 29.12.2016



### Products Views



### Component Details

A:PTO output: ISO 4 bolts flange , direct mounting to hydraulic pump with 3 bolts UNI adaptor  
 B:PTP output: ISO 4 bolts flange, direct mounting to the hydraulic pump with 3 bolts UNI adaptor  
 C:Air inlet  
 D:Sensor

### Technical Details

Power	Maximum Torque		Input/Output	Mounting Side	Control Type
	kW	Nm			
45	436	44.5	1/1	Right - Rear	Pneumatic
				<b>Weight</b>	<b>Sense of Rotation</b>
				39 kg	Opposite of Input